



**ARROWHEAD**  
R O C K D R I L L  
HYDRAULIC HAMMERS, TOOLS & PARTS™

**S330**

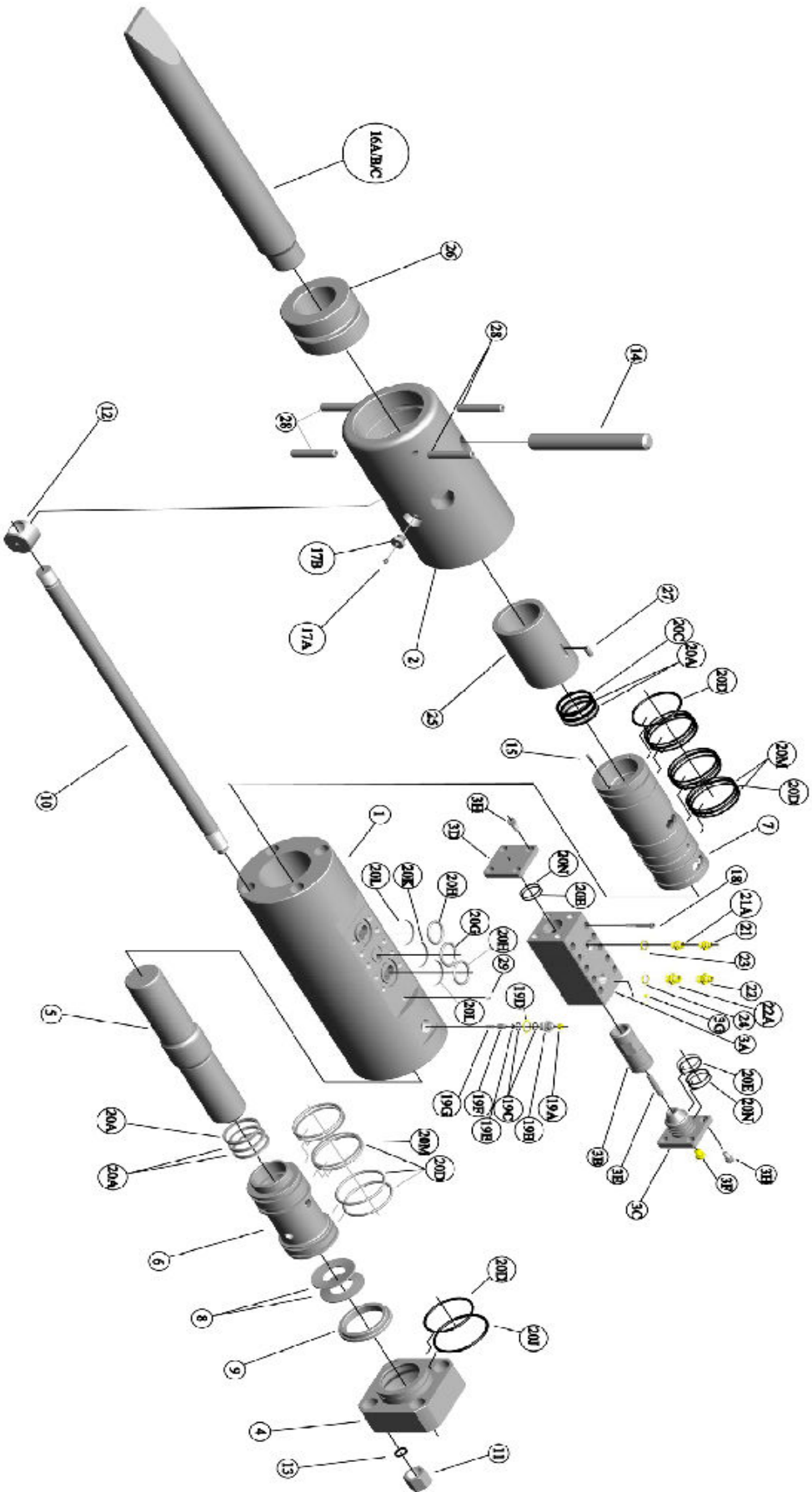
**PARTS MANUAL**

# S330 PARTS LIST AND DRAWINGS

Item No.	Part No.	Description	Qty.
1	S330-001	Main Body	1
2	S330-002	Chuck Housing	1
3	S330-003C	Main Valve Complete	1
3A	S330-003	Valve Housing (Bare)	1
3B	S330-019	Valve Spool	1
3C	S330-020	Main Valve Top Plate	1
3D	S330-021	Main Valve Bottom Plate	1
3E	S330-029	Plunger	1
3F	ARC-126	3/4" BSP Pressure Plug	1
3G	ARC-100	8mm Pressure Plug	1
3H	ARC-055	Socket Head Capscrew (Top & Bottom Valve Plate)	8
4	S330-004	Cylinder Head	1
5	S330-006	Piston	1
6	S330-007	Upper Cylinder Liner	1
7	S330-008	Lower Cylinder Liner	1
8	S330-009	Disc Washers	2
9	S330-010	Spacer	1
10	S330-013	Tie Rod	4
11	S330-014	Top Nut	4
12	S330-015	Bottom Nut	4
13	S330-063A	Tie Rod Washer	4
14	S330-017	Tool Retainer Pin	1
15	ARC-065	Dowel Pin	2
16A	S330-026P	Tool ( Point )	1
16B	S330-026C	Tool (Chisel )	1
16C	S330-026B	Tool (Blunt )	1
17A	ARC-005	Grease Nipple	1
17B	ARC-125	1" BSP Male - 1/4" Female - Reducing Plug	1
18	ARC-113	Socket Head Capscrew (Valve to Main Body)	10
19	ARC-008	Gas Valve Assembly	1
19A	ARC-008A	Gas Valve Dust Cap	1
19B	ARC-008B	Gas Valve Body	1
19C	ARC-008C	"O" Ring	2
19D	ARC-008D	1" Dowty Washer	1
19E	ARC-008E	"O" Ring	1
19F	ARC-008F	Gas Valve Shuttle	1
19G	ARC-008G	Gas Valve Spring	1
20	S330-059	Seal Kit Complete	1
20A	S330-059-1	"U" Seal	5
20C	S330-059-3	Wiper Ring	1
20D	S330-059-4	"O" Ring Cylinder Liner	9
20E	S330-059-5	"O" Ring Main Valve Top & Bottom Plates	3
20G	S330-059-7	"O" Ring Valve to Main Body	1
20H	S330-059-8	"O" Ring Valve to Main Body	2

<b>20J</b>	S330-059-9	"O" Ring Cylinder Head to Main Body Face Seal	1
<b>20K</b>	S330-059-10	P.T.F.E. Back Up Ring Valve to Main Body	1
<b>20L</b>	S330-059-11	P.T.F.E. Back Up Ring Valve to Main Body	2
<b>20M</b>	S330-059-12	Bronze Filled Back Up Ring Cylinder Liner	10
<b>20N</b>	S330-059-13	P.T.F.E. Back Up Ring Main Valve Top & Bottom Plates	3
<b>21</b>	ARC-030	Inlet Adaptor 1" BSP * 1.5/16 JIC - 16 Male Couplings	1
<b>22</b>	ARC-032	Outlet Adaptor 1 1/4" BSP * 1.5/8 JIC - 20 Male Couplings	1
<b>21A</b>	ARC-022	Inlet Adaptor 1" X 1" BSP Male Couplings	1
<b>22A</b>	ARC-24	Outlet Adaptor 1 1/4" X 1 1/4" BSP Male Couplings	1
<b>23</b>	ARC-008D	1" Dowty Seal	1
<b>24</b>	ARC-048	1"1/4 Dowty Seal	1
<b>25</b>	S330-011	Thrust Bush	1
<b>26</b>	S330-012	Lower Bush	1
<b>27</b>	ARC-065	Dowel Pin	2
<b>28</b>	ARC-112	Seloc Pins	4
<b>29</b>	ARC-002	1/4" BSP Plug	1
<b>30</b>	S330-150	Hammer Box	1
<b>31</b>	S330-101	Lower Buffer	1
<b>32</b>	S330-100	Top Buffer	1
<b>33</b>	S330-065	Tool Retainer Stopper Plate	1
<b>34</b>	ARC-055	Tool Retainer Stopper Plate Cap Screw	8
<b>35</b>	ARC-131	Top Bracket	1
<b>36</b>	ARC-017	Top Bracket Bolt Assembly	8
	ARC-124	Decal Set	1
	ARC-012	Gas Charging Kit	1
	S330-200	Operators/Parts Manual	1
	ARC-045	1" Four Wire Nominal Bore Hose with 1" 5/16 JIC Fittings 3.0m	1
	ARC-046	1" 1/4 Nominal Bore Two Wire Hose with 1" 5/8 JIC Fittings 3.0m	1
	ARC-038	1" Four Wire Nominal Bore Hose with 1" BSP Fittings 3.0m	1
	ARC-039	1" 1/4 Nominal Bore Two Wire Hose with 1" 1/4 BSP Fittings 3.0m	1

# S330 HAMMER





# **GAS VALVE ASSEMBLY**

