



ARROWHEAD
R O C K D R I L L
HYDRAULIC HAMMERS, TOOLS & PARTS™

S130

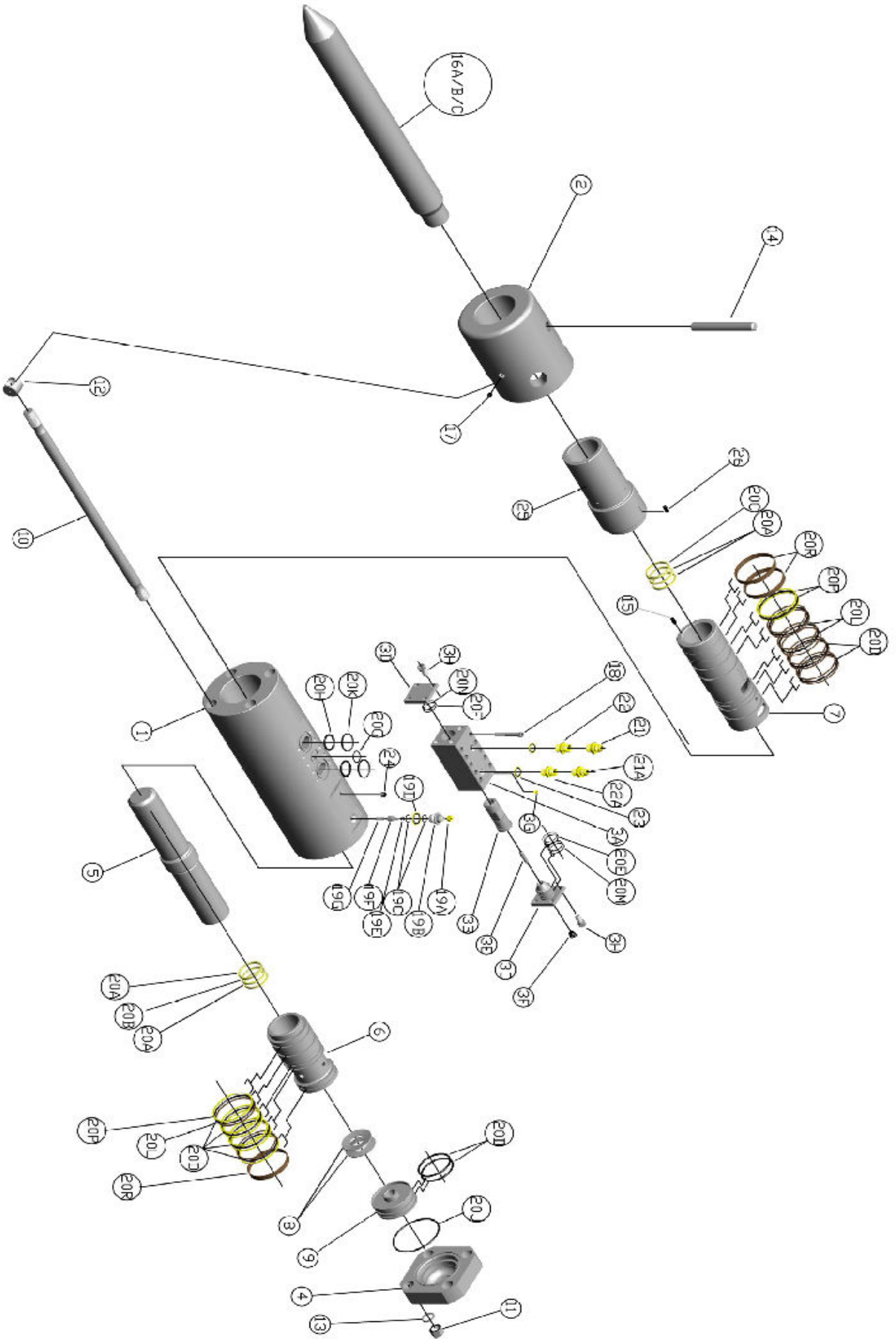
PARTS MANUAL

S130 PARTS LIST AND DRAWINGS

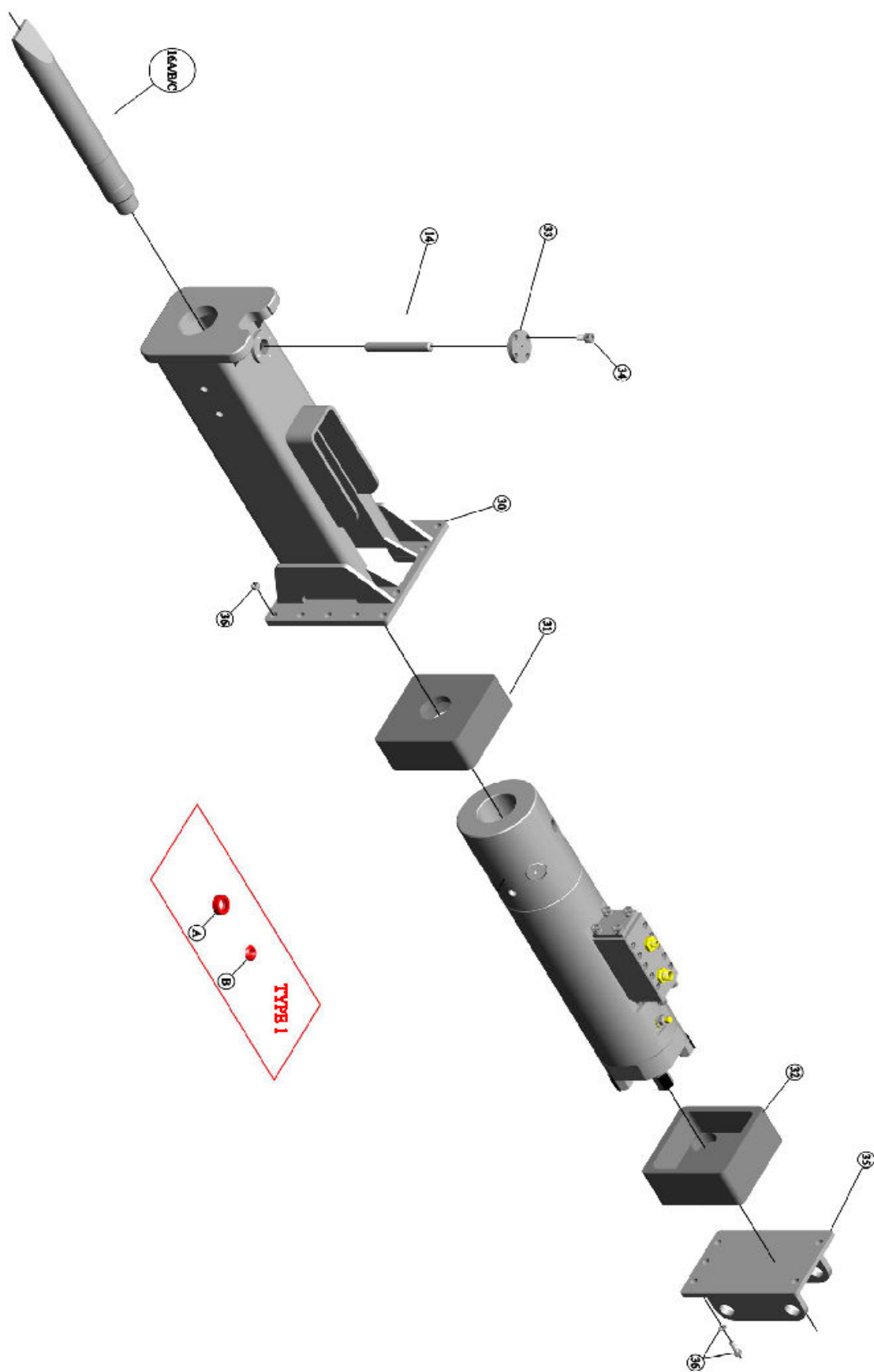
Item No.	Part No.	Description	Qty.
1	S130-001	Main Body	1
2	S130-002	Chuck Housing	1
3	S130-003C	Main Valve Complete	1
3A	S130-003	Valve Housing (Bare)	1
3B	S130-019	Valve Spool	1
3C	S130-020	Main Valve Top Plate	1
3D	S130-021	Main Valve Bottom Plate	1
3E	S130-029	Plunger	1
3F	ARC-097	22mm Pressure Plug	1
3G	ARC-100	8mm Pressure Plug	1
3H	ARC-007	Socket Head Capscrew (Top & Bottom Valve Plate)	8
4	S130-004	Cylinder Head	1
5	S130-006	Piston	1
6	S130-007	Upper Cylinder Liner	1
7	S130-008	Lower Cylinder Liner	1
8	S130-009	Disc Washers	2
9	S130-010	Spacer	1
10	S130-013	Tie Rod	4
11	S130-014A	Top Nut	8
12	S130-015	Bottom Nut	4
13	S130-063A	Tie Rod Washer	4
14	S130-017	Tool Retainer Pin	1
15	ARC-001	Dowel Pin	2
16A	S130-026P	Tool (Point)	1
16B	S130-026C	Tool (Chisel)	1
16C	S130-026B	Tool (Blunt)	1
17	ARC-005	Grease Nipple	1
18	ARC-111	Socket Head Capscrew (Valve to Main Body)	10
19	ARC-008	Gas Valve Assembly	1
19A	ARC-008A	Gas Valve Dust Cap	1
19B	ARC-008B	Gas Valve Body	1
19C	ARC-008C	"O" Ring	2
19D	ARC-008D	1" Dowty Washer	1
19E	ARC-008E	"O" Ring	1
19F	ARC-008F	Gas Valve Shuttle	1
19G	ARC-008G	Gas Valve Spring	1
20	S130-059	Seal Kit Complete	1
20A	S130-059-1	"U" Seal	4
20B	S130-059-2	"U" Seal Rubber Quad	1
20C	S130-059-3	Wiper Ring	1
20D	S100-059-4	"O" Ring Cylinder Liner	11
20E	S100-059-5	"O" Ring Main Valve Top Plate	2
20F	S100-059-6	"O" Ring Main Valve Bottom Plate	1
20G	S100-059-7	"O" Ring Valve to Main Body	1
20H	S100-059-8	"O" Ring Valve to Main Body	2
20J	S100-059-9	"O" Ring Cylinder Head to Main Body Face Seal	1

20K	S100-059-10	P.T.F.E. Back Up Ring Valve to Main Body	2
20L	S100-059-11	Bronze Filled Back Up Ring Cylinder Liner	12
20M	S100-059-12	P.T.F.E. Back Up Ring Main Valve Top Plate	2
20N	S100-059-13	P.T.F.E. Back Up Ring Main Valve Bottom Plate	1
20P	S100-059-14	P.U. Back Up Ring Cylinder Liner	8
20R	S100-059-15	Bronze Filled Composite Support Band	3
21	ARC-028	Inlet Adaptor 3/4" BSP * 1.1/16 JIC - 12 Male Couplings	1
21A	ARC-126	Outlet Adaptor 3/4" BSP * 1.5/16 JIC - 16 Male Couplings	1
22	ARC-020	Inlet Adaptor 3/4" X 3/4 BSP Male Couplings	1
22A	ARC-21	Outlet Adaptor 3/4" X 1" BSP Male Couplings	1
23	ARC-009	3/4" Dowty Seal	2
24	ARC-002	1/4" BSP Plug	1
25	S130-005	Combination Bush	1
26	ARC-001	Dowel Pin	2
30	S130-150	Hammer Box	1
31	S130-101	Lower Buffer	1
32	S130-100	Top Buffer	1
33	ARC-010	Rubber Doughnut	1
34	ARC-060	Top Bracket	1
35	ARC-016	Top Bracket Bolt Assembly	15
	ARC-121	Decal Set	1
	ARC-012	Gas Charging Kit	1
	S130-200	Operators/Parts Manual	1
	ARC-043	3/4" Four Wire Nominal Bore Hose with 1 1/16" JIC Fittings 2.6m	1
	ARC-044	1" Nominal Bore Two Wire Hose with 1 5/16" JIC Fittings 2.6m	1
	ARC-036	3/4" Four Wire Nominal Bore Hose with 3/4" BSP Fittings 2.6m	1
	ARC-037	1" Nominal Bore Two Wire Hose with 1" BSP Fittings 2.6m	1

S130 HAMMER



S130 HAMMER



GAS VALVE ASSEMBLY

